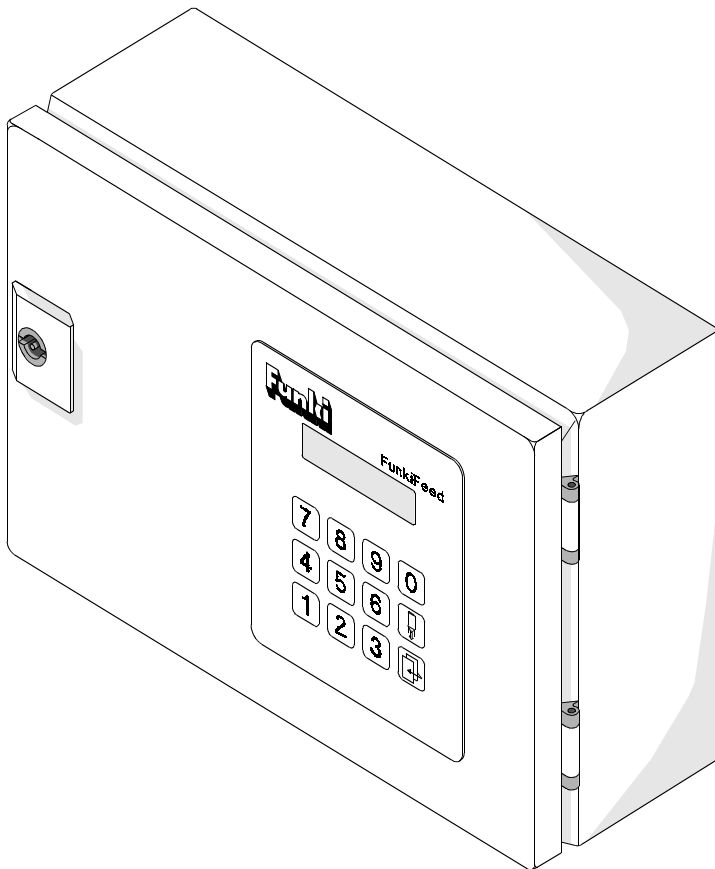


# FunkiFeed - Dry feeding control unit



- Possible to regulate two systems
- A control unit tailored to meet the customer's requirement
- User-friendly and logical operation via menu system
- Possibility of emptying pipe circuit
- Minimum strain on the system at start-up
- Heavy-duty, metal cabinet
- Observes regulations on immunity from interference
- Up to 20 program runs per 24 hours

**FunkiFeed** based on a menu system operated by means of keyboard and display, and therefore very logic and easy to operate.

The **FunkiFeed** display shows current and next job as well as the type of alarm in case system errors.

**FunkiFeed** controls 2 drive units, 2 motor-driven reception units, numerous feed releases and 2 stop sensors. FunkiFeed can regulate 2 system independently.

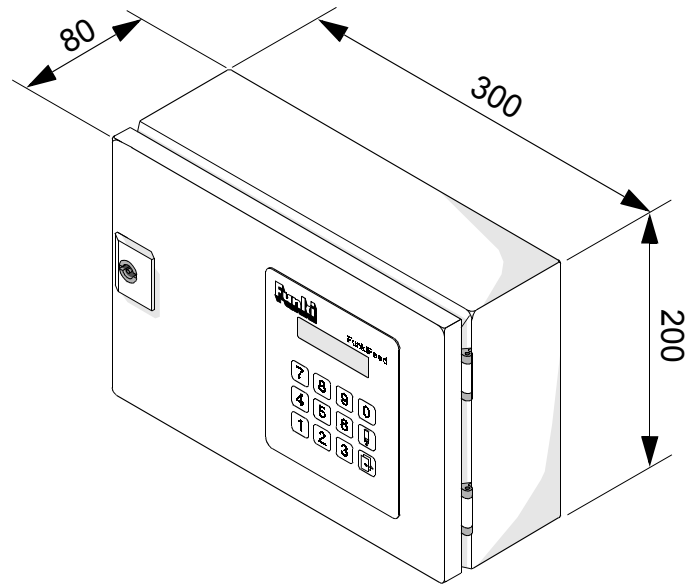
**FunkiFeed** offers, together with Funki's motor-driven reception unit, the possibility of emptying the pipe circuit before the drive unit is stopped, thus minimizing the strain on the system at the next start-up.

**FunkiFeed** is equipped with a stop device for maximum running time to prevent unnecessary strain on the system in case of an empty silo.

Designed with a metal cabinet, this control unit observes the new European regulations on immunity from interference.

**FunkiFeed** is equipped with extra ports for control of showering or light, among others.

# Technical specifications



## Supply:

Voltage supply	230 VAC 50/60 Hz
Nominal effect	15 W
Max. effect	25 W

## Output:

Max. voltage potential-free output relay	250 VAC
Max. current potential-free output relay	4 A

## Input:

Input voltage	24 VDC
Input current max.	8 mA

## Connection:

Number of drive units max.	2
Number of motor-driven reception units max.	2
Number of shaft speed monitors max.	2
Number of inputs for thermo errors	2
Number of stop sensors max.	2
Number of optional outputs, incl. releases	3

## Various:

Display	2 x 16 characters
Keyboard	Foil without click
Dimensions/cabinet without motor protection/transformer	300 x 200 x 80