



FUNKIMAT

Feeder for pigs from 6 to 120 kg



- Available for weaners or finishers
- Optimum well-being for pigs
- High daily gain
- High hygiene and feed intake
- Water and feed separated
- Easy to learn
- Easy to adjust
- Large adjustment handle ensures good overview through the stall

| FUNKIMAT |

Feeder for weaners and finishers



FUNKIMAT is made solely of stainless materials to ensure durability. The FUNKIMAT is designed in consideration of today's demands on housing environment, making the feeder easy to clean as well as waterproof for sprinkling.

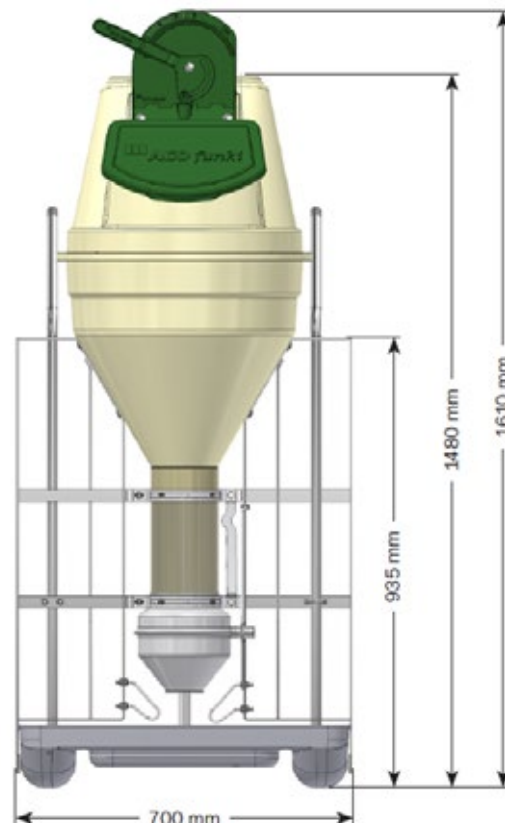
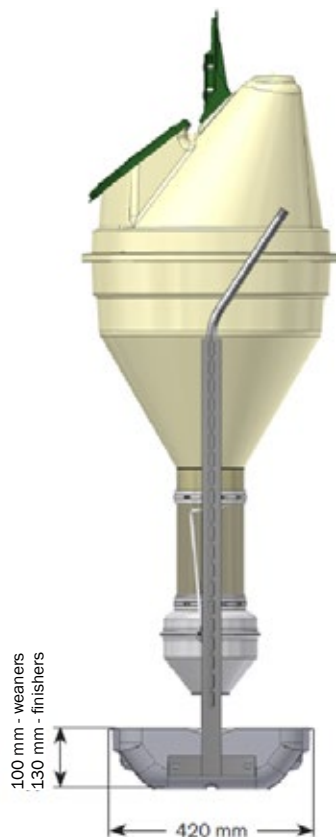
FUNKIMAT is available in all models with pen sides of 1 m, suitable for installation options in the pen partition. Placing the feeder independently in the pen also is an option, when adding two posts (accessories). Note that pen equipment towards feeders must be ended with posts fixed to the floor.



The feed containers is designed to ensure optimum utilization of the volume and allows filling from low height. The container is waterproof for sprinkling and prepared for automatic filling from up to 3 feed circuits.

FUNKIMAT - FACTS

| | |
|----------------------------|---------------|
| Hopper capacity | 100 l |
| Frame | 40x3 mm, flat |
| Trough | Stainless |
| Capacity per trough | |
| Weaners 5-35 kg | 30-50 pigs |
| Finishers 30-120 kg | 30-40 pigs |



Subject to changes in materials and design reserved.

B-1036-GB



ACO FUNKI A/S
Kirkevænget 5
DK-7400 Herning
T. +45 9711 9600
www.acofunki.com

