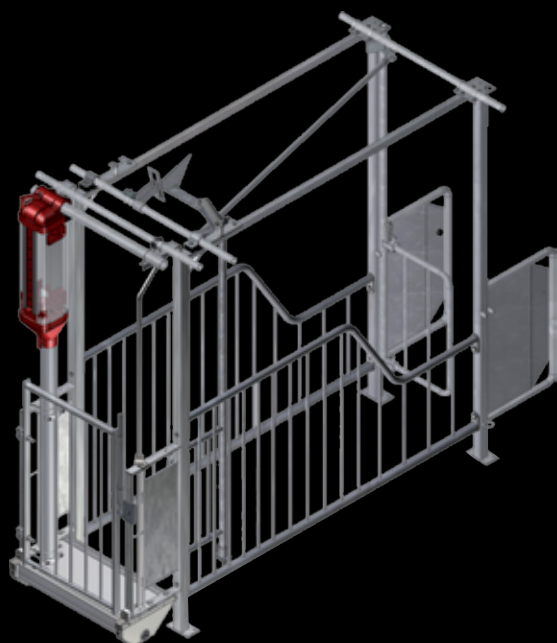




LD-BOX

Traditional mating unit



- Easy access and good space conditions for sows and for staff
- Ensures optimum stimulation and time of service
- The side covered trough gives an undisturbed eating situation and thereby a low stress level
- The open front grille/front gate provides a superior boar contact and ensures clear heat symptoms
- Rounded equipment parts and focus on finish minimize the risk of injuries
- Multi-adjustable support
- Maximum space utilization

LD-BOX

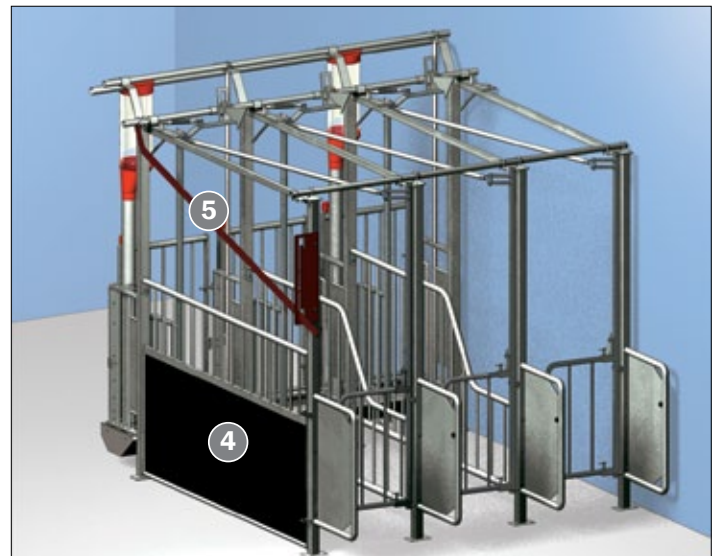
Good conditions for both sows and staff

LD-box is a traditional mating box, that has an easy operating gate function and gives the sows a free choice. They can choose to stay in the box or in the resting area with the deep straw bedding. The sows are able to sort out the hierarchy in the group before mating, which gives the foetuses the best conditions after fertilisation. At the same time the deep bedding mat gives the sows unique possibilities for exercise and roughage - it will make the sows calm. Easy access through the rear gate, one-hand operated front gate and 2 meters height give the best working environment.

FACTS	
Length:	190 / 200 cm (with front grille extension)
Height:	200 cm
Width:	65 cm
Posts:	40 x 40 x 4 mm
Upper pipe :	33,7 x 2,65 mm
Lower pipe:	33,7 x 2,65 mm
Bars:	14 mm solid round iron
Front / rear gate:	Side hinged
Locking system:	2 m height
Quality:	Hot galvanized
Water supply:	2 m height: 1" galvanized or stainless pipe
Water inlet:	½" stainless pipe, stainless nipple 1 per 2 boxes



- 1 LD-box side 190 cm*
- 2 Front and rear gate, galvanized
- 3 Stainless trough



- 4 Partition 190 cm
- 5 Central opening for max 40 boxes

*NB: available with front bars extensions up to length 200 cm.

Subject to changes in materials and design is reserved.

B-6504-GB



ACO FUNKI A/S
Kirkevænget 5
DK-7400 Herning

T. +45 9711 9600
www.acofunki.com
www.egebjerg.com



FUNKI | EGBJERG