

Mini Heat

Fan Heater

Mini Heat

Mini Heat is a fan heater which is specially designed for supplying heat in pig houses.

The heating element is constructed in corrosion-free water-carrying tubes, onto which robust aluminium ribs are mounted at intervals of 5 mm.

The large spacing between the ribs allows cleaning of the heating element to be carried out with both air and water.

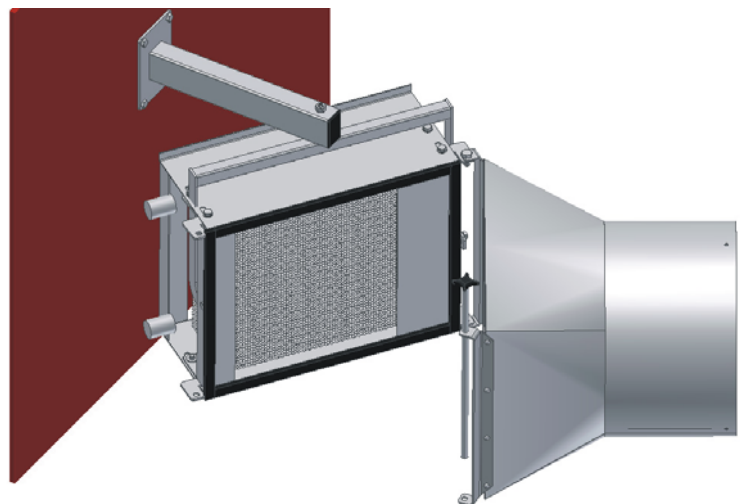
The cabinet surrounding the Mini Heat has a hot-galvanised finish.

The entire Mini Heat unit is thus constructed in corrosion-resistant materials.

The fan heater in the Mini Heat is based on a low-energy Grundfos motor with built-on plastic fan blades.

The Mini Heat is available as juste-ble in 2 axes.

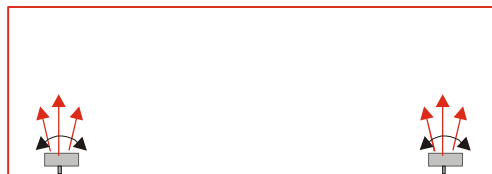
Mini Heat is fixed to the wall and blows air along the length or width of the stable depending on the layout of the stable and the ventilation system employed.



Technical data

Air	1300 m ³ /h
Output	15 kW
Motor	80W/890 rpm; 0,35 Amp./230 Volt
Fan blades	10 blades/40°
Fluid pressure loss	8 kPa
Fluid flow	0,84 l/s
Weight	Approx. 20 kg
Max. working pressure	10 bar
Water temperature - inlet	90° C
Water temperature - outlet	83° C

Example of location in the stable



Extreme position upwards 5°

Extreme position downwards 15°

